

FIG. 1 (a)

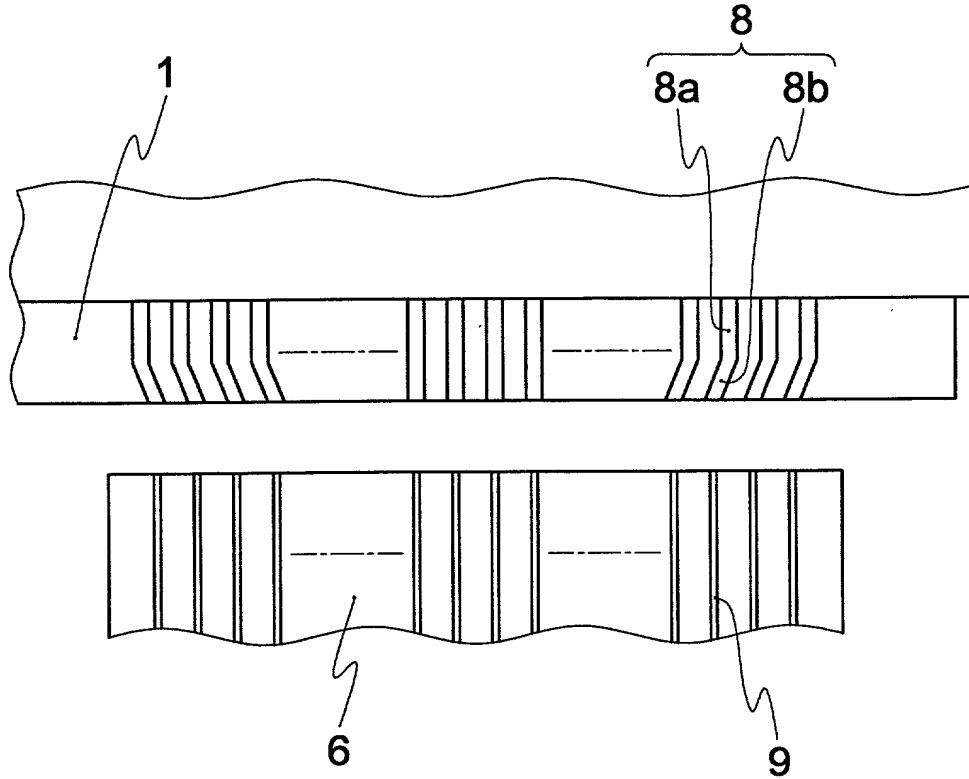
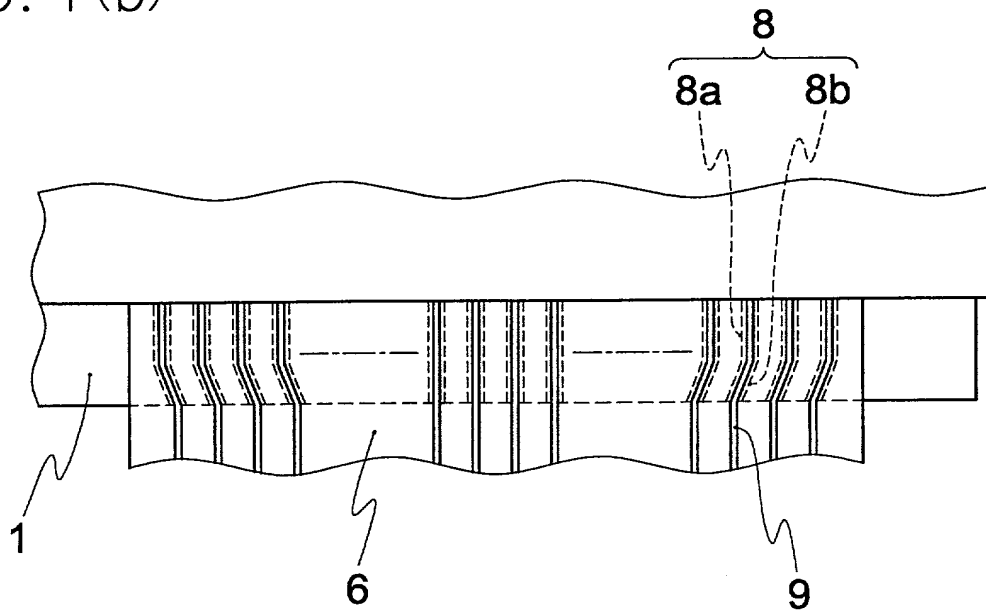


FIG. 1 (b)



2025 RELEASE UNDER E.O. 14176

FIG. 2(a)

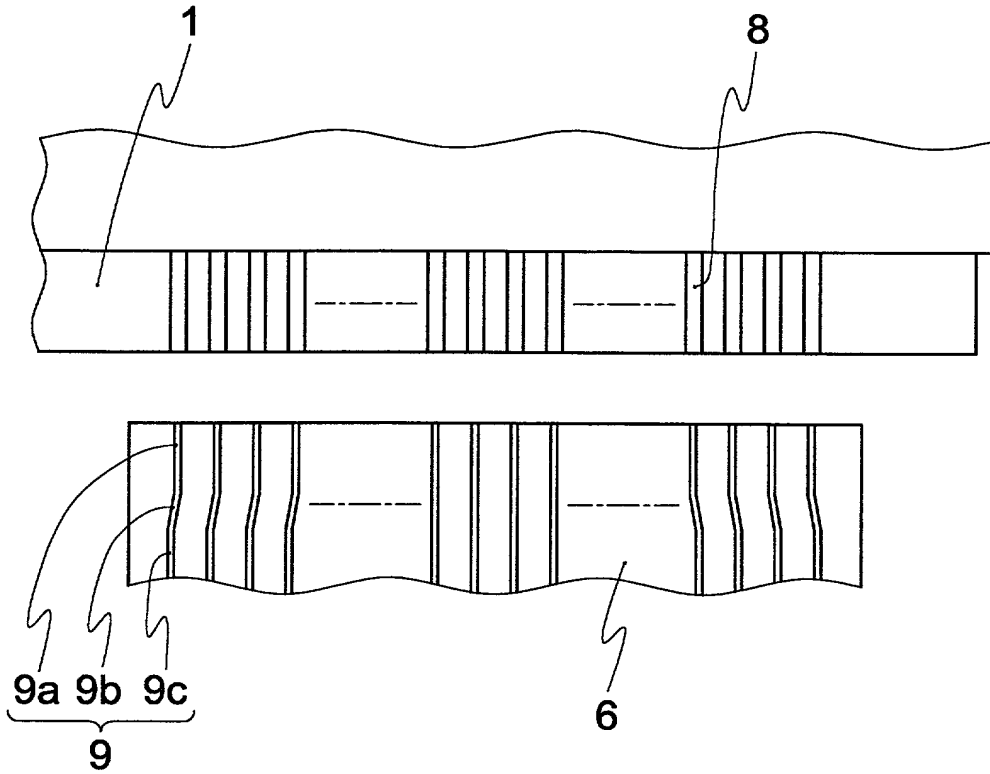


FIG. 2(b)

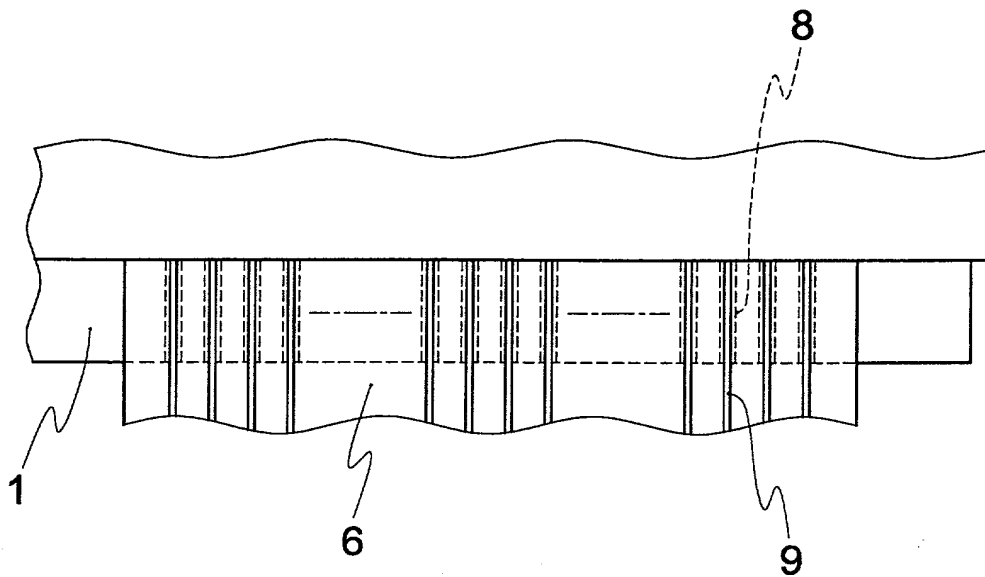


FIG. 3

FIG. 3

